

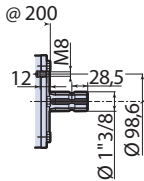
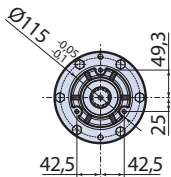
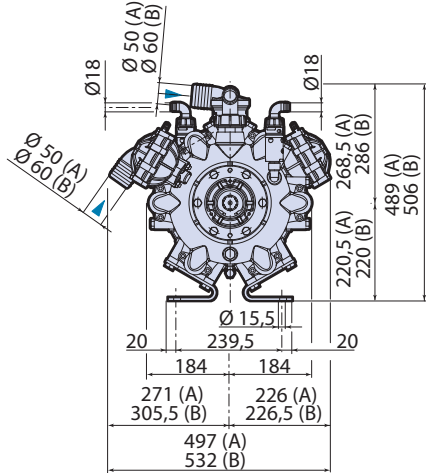
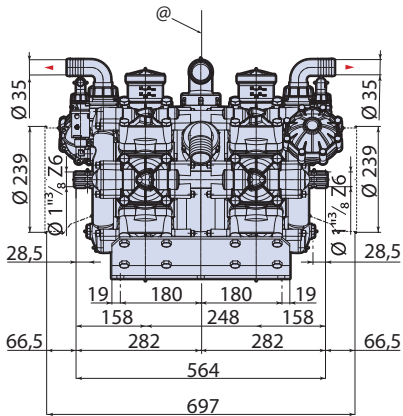
Descrizione

Semi-hydraulic six plus six diaphragm pump, for use in low pressure systems.

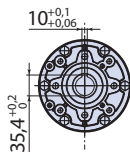
Parts in contact with pumped liquids in plastic-coated aluminium Rilsan and AISI 303/304. Diaphragms available in BlueFlex™. Seals in NBR. Die-cast casing with oil-immersed mechanism and clear plastic tank for visual level checking. Fitted with air-hydraulic dampers for smoother operation and less hammer effect in the delivery circuit. Remote level monitoring sensor on request. Remote oil tank installation kit available on request. Oil drainage stopper. Pistons with ring for a more efficient "oil cushion" system to protect the diaphragm. Spherical sector profile valves for lower flow resistance and improved volumetric efficiency. Single central suction manifold. Mass-produced safety valve and cardan protection. Geomet metal fasteners. Available flanges for hydraulic motors and hydraulic pumps for overgears.



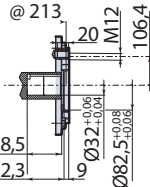
Details	Value
ARCode	32061
Category	Low pressure
Product	AR 500 bp Twin
Version	C/C
Number of diaph	12
Delivery (l/min)	489,4
Delivery (gpm)	129,3
Pressure (bar)	20
Pressure (psi)	290
Power (hp)	23,6
RPM	550
Weight (kg)	75
Dimensions (mm) L	497
Dimensions (mm) H	487
Dimensions (mm) W	697
Suction (mm)	2 x ø 50
Outlet (mm)	2 x ø 35
Temperature Max °C	60



AP C/C



AP C/F Ø32mm



(A) = AR500bp

(B) = AR560bp

@ = Pump axis - Asse pompa